




City of Joondalup
 90 Boas Ave, Joondalup WA 6027
 PO Box 21, Joondalup WA 6919
 Ph: 08 9400 4000
 Fax: 08 9300 1383
 info@joondalup.wa.gov.au
 www.joondalup.wa.gov.au



Scale(A4):1:1900

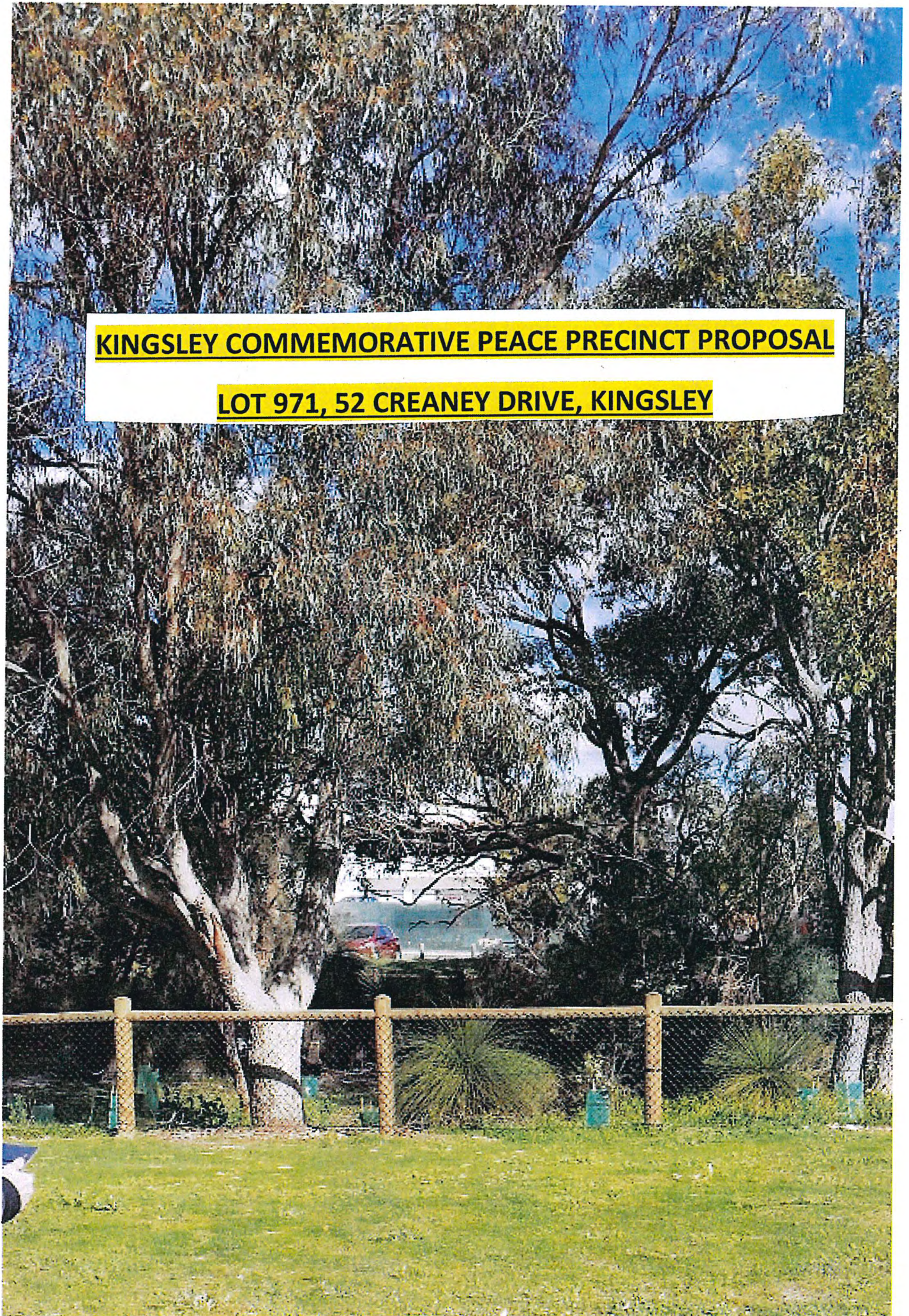
Date: 14/03/2017

DISCLAIMER: While every care is taken to ensure the accuracy of this data, the City of Joondalup makes no representations or warranties about its accuracy, completeness or suitability for any particular purpose and disclaims all liability for all expenses, losses, damages and costs which you might incur as a result of the data being inaccurate or incomplete in any way and for any reason.

Lot 971 (52) Creaney Drive, Kingsley

KINGSLEY COMMEMORATIVE PEACE PRECINCT PROPOSAL

LOT 971, 52 CREANEY DRIVE, KINGSLEY



Proposal for Consideration:

'KINGSLEY COMMEMORATIVE PEACE PRECINCT' (Lot 971, 52 Creaney Drive, Kingsley)

PROJECT AIM:

'To provide the residents of Kingsley and surrounding suburbs, with a place of tranquillity and quiet contemplation within a beautifully preserved natural bushland setting'

PROJECT DESCRIPTION:

To value-add by transforming the area currently known as Lot 971 Kingsley - at no or minimal cost to the City of Joondalup - into a Commemorative Peace Precinct by way of a new name, wheelchair and pram-friendly pathways and some bench seating, and with the erection of 5 commemorative plinths in designated areas within the precinct.

BACKGROUND INFORMATION - THE SITE:

Lot 971, 52 Creaney Drive Kingsley is a 10,000sqm buffer of remnant bushland between the Kingsley football oval and the Kingsley Shopping and Commercial Centre and Tavern.

It was ceded to the City by the original developers of Kingsley and is zoned 'Civic and Cultural'

In the Joondalup Council meeting of June 2014, Council voted to accept a petition from 1,977 Residents to not sell the land for development.

Since then the members of the local community and the Kingsley and Greenwood Residents Association (KAGRA Inc) have in a voluntary capacity or 'caretaker role', held quarterly work days to collect rubbish from the area.

The City has since fenced off three separate tree-stand areas to protect the biodiversity of the bushland after native orchids were found in a flora survey. More recently the work days have become 'weeding days' and KAGRA Members have just planted 120 seedlings and mulched the fenced areas with the assistance of the City.

BACKGROUND INFORMATION - THE CONCEPT:

Brian F Cooper OAM JP is an ex-military man of 40 years service in total and at present an active JP serving on 3 rosters. Amongst other things he has been a Veterans Advocate for 35-40 years, currently Chairman of Trustees of the Poppy Day Trust Fund, and has also been Secretary of several ex-service Associations in years past with tenures exceeding 20 years duration.

The original concept was born from approaches to him over the last two Anzac Days at the local tavern. Due to the ageing demographic of the citizens of the suburbs of Kingsley, Woodvale and Greenwood, these people have difficulty in attending the traditional Anzac and Remembrance Day Ceremonies in the major venues in the metropolitan area.

With that in mind it was thought that a local, more accessible memorial where they are able to pay their respects in quiet contemplation in a rural bushland setting would be advantageous for the community.

It is further thought from discussions with Lions and Veterans services, that this project, by way of example could see Joondalup set the standard and be the first of many of its type across Perth - in suburbs with similar demographics - especially on this centenary year of the ANZACs

Further discussion has since expanded the project to recognise and celebrate our multicultural community and to be a place of reflection for the community at large, to commemorate the injuries and loss of life in Maritime, Airborne, Natural and Man-made Disasters

STAKEHOLDERS AND INVOLVED PARTIES:

The KAGRA Committee were contacted by, and have agreed to support Mr Brian Cooper OAM with his Peace Precinct proposal

Mr Cooper also has spoken separately with, and has the support of both Andrea Mitchell MLA, and the Lions Club (Kingsley Woodvale) both of whom have also agreed to assist with the project and have been instrumental with the plans thus far.

Other potential stakeholders that this project may affect as listed below have been spoken to and to date several met by Mr Cooper and given their support in principle to the project:

The Creaney Primary School
The Kingsley Junior Football Club
The Kingsley Amateur Football Club (Seniors)

The Kingsley Woodvale Cricket Club
The Kingsley Woodvale Junior Cricket Club
Greenwood Secondary College (letter of support included herewith)
The Kingsley Tavern
IGA & Numerous tenants (Business Owners) of the Kingsley Shopping Centre
The Ward Councillors

It must be noted at this point that the word 'Memorial' will not be referenced (in any final naming decisions) out of respect for the Kingsley Football Club Bali Bombing Memorial situated within the Kingsley clubrooms.

This project is devoid of any involvement from any RSL body; albeit Mr Cooper has spoken with and has their support for the project.

There is scope for the precinct to be incorporated into an educational interactive experience for the local schools; in particular the nearby Creaney Primary School. As you will note in the letter of support (see appendices) from the Principle of Greenwood College, he is keen for the schools involvement into the future. It is hoped and indeed expected that a meeting with the Principle of Woodvale Secondary College in the near future will be met with the same enthusiasm.

And finally, the City of Joondalup as the landowner and therefore the main shareholder, will benefit as ultimately this project is about further improving a valuable green space and making it a landmark - a place of quiet contemplation, peace and tranquillity in our busy world - for the wellbeing of its local community and ratepayers.

It is expected that the financial outlay to the city of Joondalup may be negligible and in fact optional, due to the grants available, as detailed herein.

No trees or vegetation will be removed for this project and any structures will complement the existing space and not impinge on the current regular maintenance schedule of the City's parks and gardens staff

PROJECT DETAIL AND COSTINGS:

See appendices at the end of this document for the *proposed* locations, sizes and designs of these plinths, information on pathways all of which are open to the expert recommendation by the City Officers.

The larger of the 5 Commemorative plinths will be dedicated to wars and conflicts in which Australia and its Allies have been involved since the Boer War in 1901 up until the present day and it is hoped would include three flagpoles and a plinth.

The FULL COST of this main commemorative plinth will be covered by the Department of Veterans Affairs under their Major Projects Grant - verbal approval has been given from Canberra, pending Council Approval of the project.

The 4 smaller but no less significant plinths will be to commemorate the injuries and loss of life in Maritime, Airborne, Natural and Manmade Disasters that have occurred from 1901 up until the present day.

These plinths will be placed so as not to interfere in any way with the usual regular city maintenance of the area (ride-on mowers etc)

Quotes obtained for these smaller plinths with plaques are less than \$2000 (two thousand dollars) each installed

The cost of these secondary plinths and plaques are expected to be covered in full by LotteryWest Grants, Bendigo Bank Community Grants, Various Veteran Grants, The Lions Club have offered donations including potential access to their International Fund, plus other various fundraising activities have been discussed if required

The proposed pathways would connect the carpark to the South of the site (at the back of the tavern), through the lot between the tree stands - to connect with the existing main pathway that surrounds the ovals so the precinct is accessible for wheelchairs and prams.

CUSTODIANSHIP / CARE AND MAINTENANCE:

The Kingsley and Greenwood Residents Association (KAGRA Inc) will continue to act as caretaker for the area with regular workdays in the bushland, and together with the Lions and DFWA are prepared to look after the Precinct and ask the City for Custodianship to do so.

It is also thought that the local Primary Schools could be encouraged to be involved as part of their curriculum, to take 'ownership' for an area of such great value - environmentally and historically.

PROPOSAL AIM - WHAT WE ARE REQUESTING:

The objective of this Proposal is to supply information which will show the benefits of this project to the community at large, the City of Joondalup and Elected Members, leading to a favourable report recommending approval.

Further Information if required can be obtained by contacting :

Mr Brian Cooper

(08) 9409 6577

bfcooper@bigpond.com

APPENDICES:

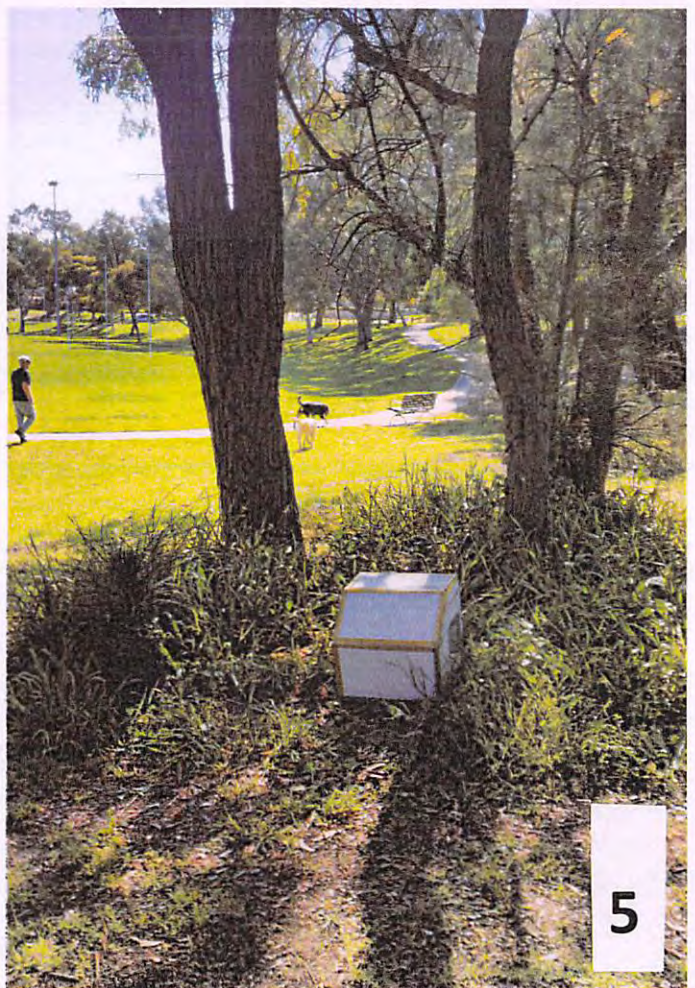
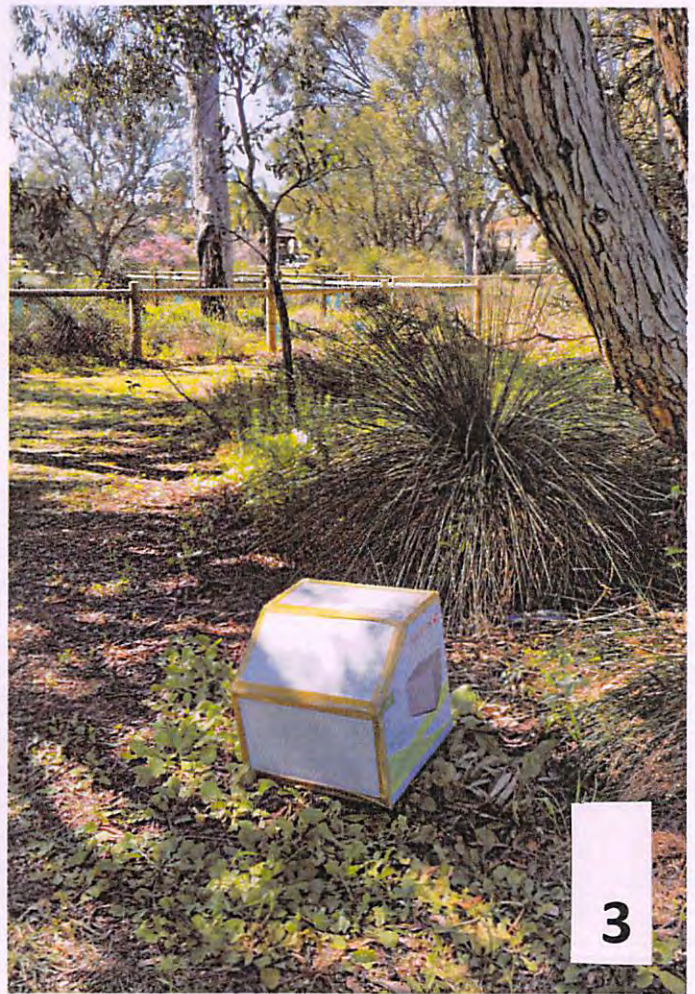
- APPENDIX 'A' : Aerial map with proposed design set out of the precinct
- APPENDIX 'A - 1' : Photos of 'mock' plinths insitu to show unobtrusive design as per appendix 'A'
- APPENDIX 'B' : Proposed design for main Commemorative plinth & flagpoles
- APPENDIX 'C' : Proposed wording on the plaque for the main plinth
- APPENDIX 'D' : Photos of the type proposed for the four minor plinths - it is expected that the main one will be similar but slightly taller
- APPENDIX 'E' : Letter of Support from Greenwood College
- APPENDIX 'F' : Quoted prices for the flags and flagpoles for your general information only (full cost covered by DVA on approval of project by the City)
- APPENDIX 'G' : Our Lions Club Representatives Colin Heap and Marilyn Sutton with Brian Cooper showing the approximation of the flag poles for the main plinth

Google Maps KINGSLEY COMMEMORATIVE PEACE PRECINCT PROPOSAL

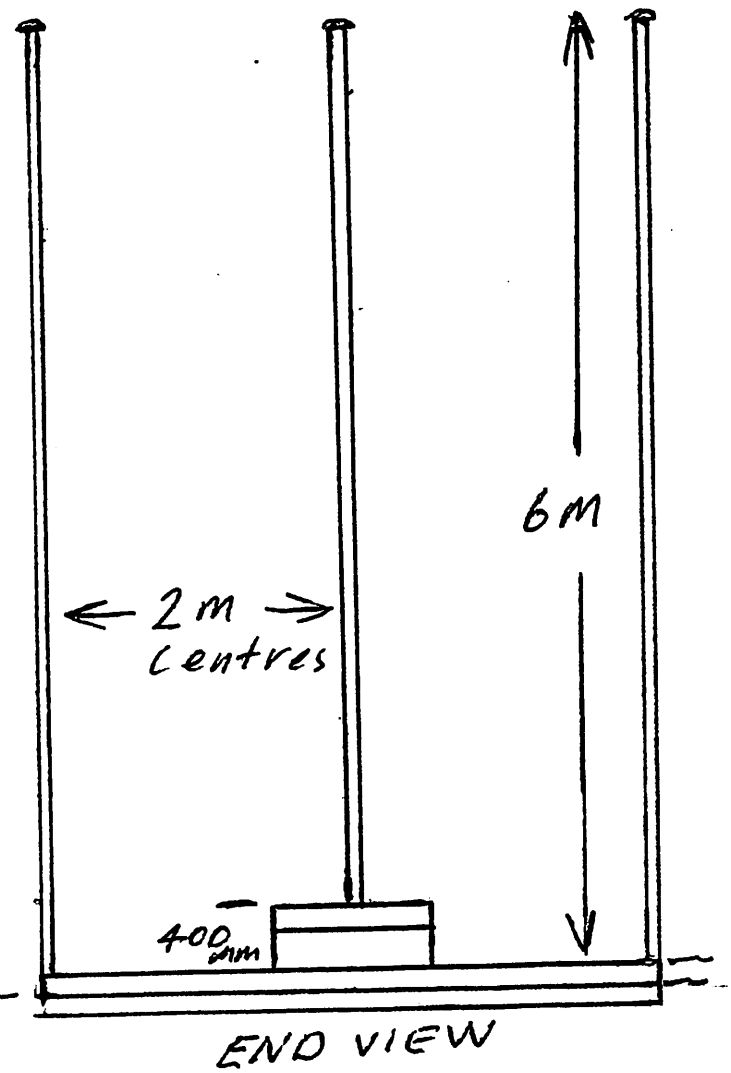
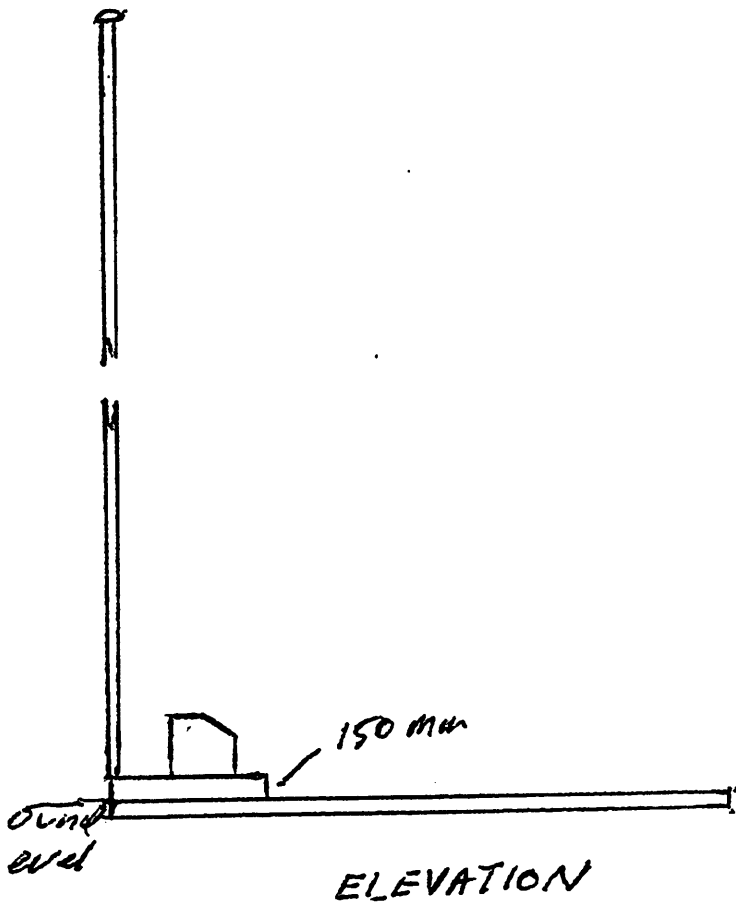
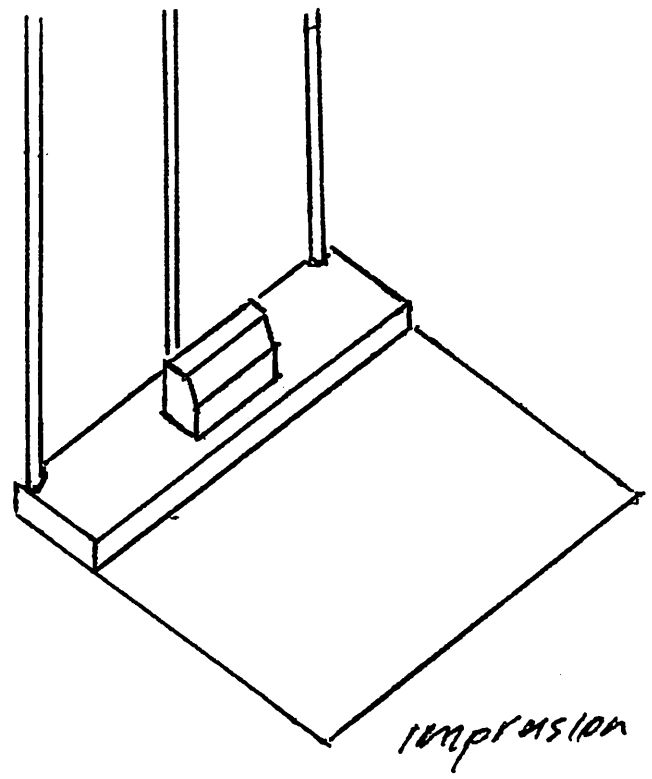
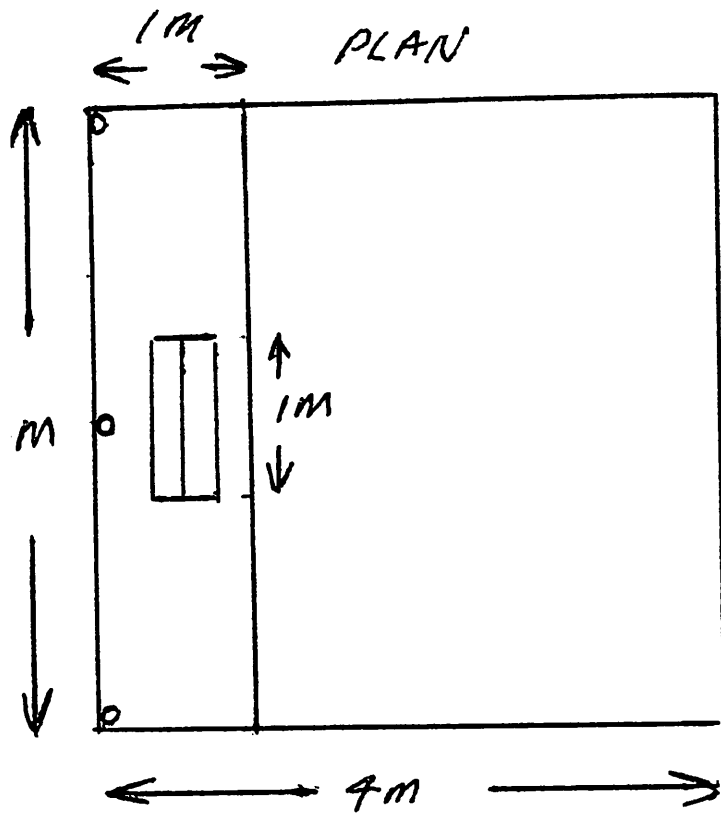


Imagery ©2016 Google, Map data ©2016 Google 10 m

APPENDIX 'A'



Lot 971 Kingsley
- Proposed.



MAIN CEREMONIAL AREA

APPENDIX 'B'



TO COMMEMORATE AND HONOUR ALL
THOSE MEN AND WOMEN WHO SERVED
IN AUSTRALIA'S AND THEIR ALLIES ARMED
FORCES IN WAR AND PEACE FROM THE
BOER WAR TO THE PRESENT DAY"

LEST WE FORGET

APPENDIX 'C'

300.00 mm

right A1 plaques WA



APPENDIX 'D'



GREENWOOD COLLEGE

An Independent Public School

The President of the Kingsley and Greenwood Residents Association
Mrs Sonia Makoare
15 Selina Crescent
KINGSLEY WA 6026

Dear Sonia

I am writing to you to indicate my College's support for the "Kingsley Commemorative Peace Precinct". The College would be delighted to be involved in any commemorative activity associated with the Bushland Islands Kingsley Park. We understand a number of commemorative memorial plinths will be erected in the park and we would be pleased to have our students engaged in any activity within the park on an annual basis.

The College has a commitment to community based activities such as this and will be keen to be involved on a perpetual basis.

We will await further information from you.

Yours Sincerely

Ian Johnston
Principal

24th September 2016

APPENDIX 'E'

Brian Cooper

From: "Greer McCallum" <greer@tudorhouse.com.au>
Date: Wednesday, 7 September 2016 10:17 AM
To: <bfcooper@bigpond.com.au>
Attach: Mushroom-Top-Tudor House standard pole.jpg; Tudor House Flag Pole.JPG
Subject: Quotation for Dept of Veteran Affairs

Hi Brian

Sorry I didn't get this email off to you yesterday, my little girl was sick and I have to go get her from day-care.

We have pleasure submitting a quotation to supply;

STANDARD ALUMINIUM FLAGPOLE				
Powder Coated White				
Not Tapered - recommended installation with spigot	QTY	Size	Cost	Total Inc GST
Medium	3	6m x 60mm	\$210.00	\$630.00
Extra's	Complete with Halyard & mushroom cap			
Spigot	3	4.5m & 6m Poles	\$65.00	\$195.00
Installation & Delivery	3	Metro area	\$160.00	\$480.00
				\$1,305.00

Below are the prices of knitted polyester printed flags & Heavy duty woven polyester fully sewn flags.

Knitted Polyester - Digitally Printed Flags				
Inc sister Clips	QTY	Size	Cost	Total Inc GST
Australian	1	1800mm x 900mm	\$85.00	\$85.00
West Australian	1	1800mm x 900mm	\$100.00	\$100.00
Aboriginal	1	1800mm x 900mm	\$115.00	\$115.00
				\$300.00

Woven Polyester - Fully Sewn Flags				
Inc sister Clips	QTY	Size	Cost	Total Inc GST
Australian	1	1800mm x 900mm	\$185.00	\$185.00
West Australian	1	1800mm x 900mm	\$185.00	\$185.00
Aboriginal	1	1800mm x 900mm	\$297.00	\$297.00
				\$667.00

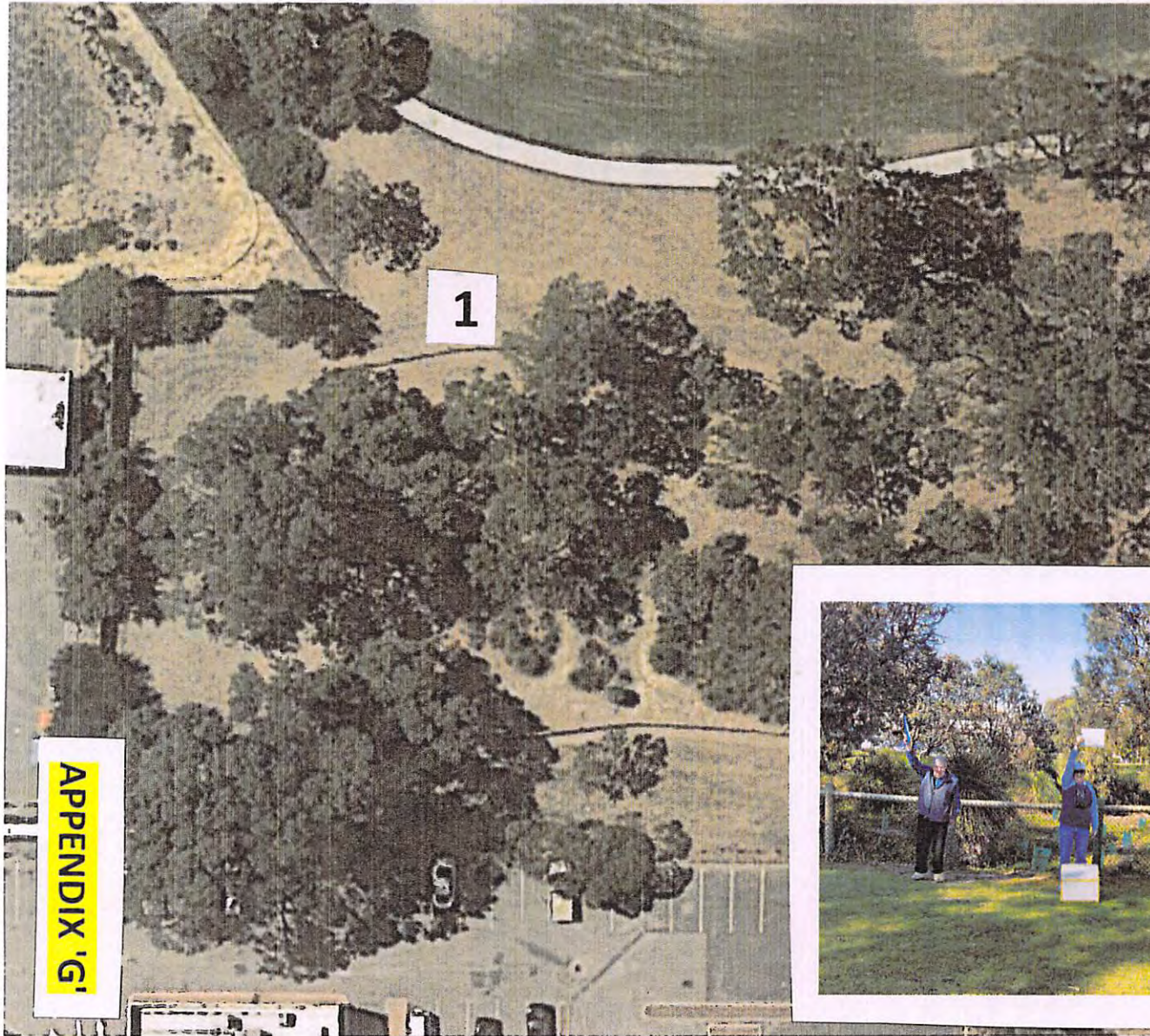
Thanks Jenni

APPENDIX 'F'



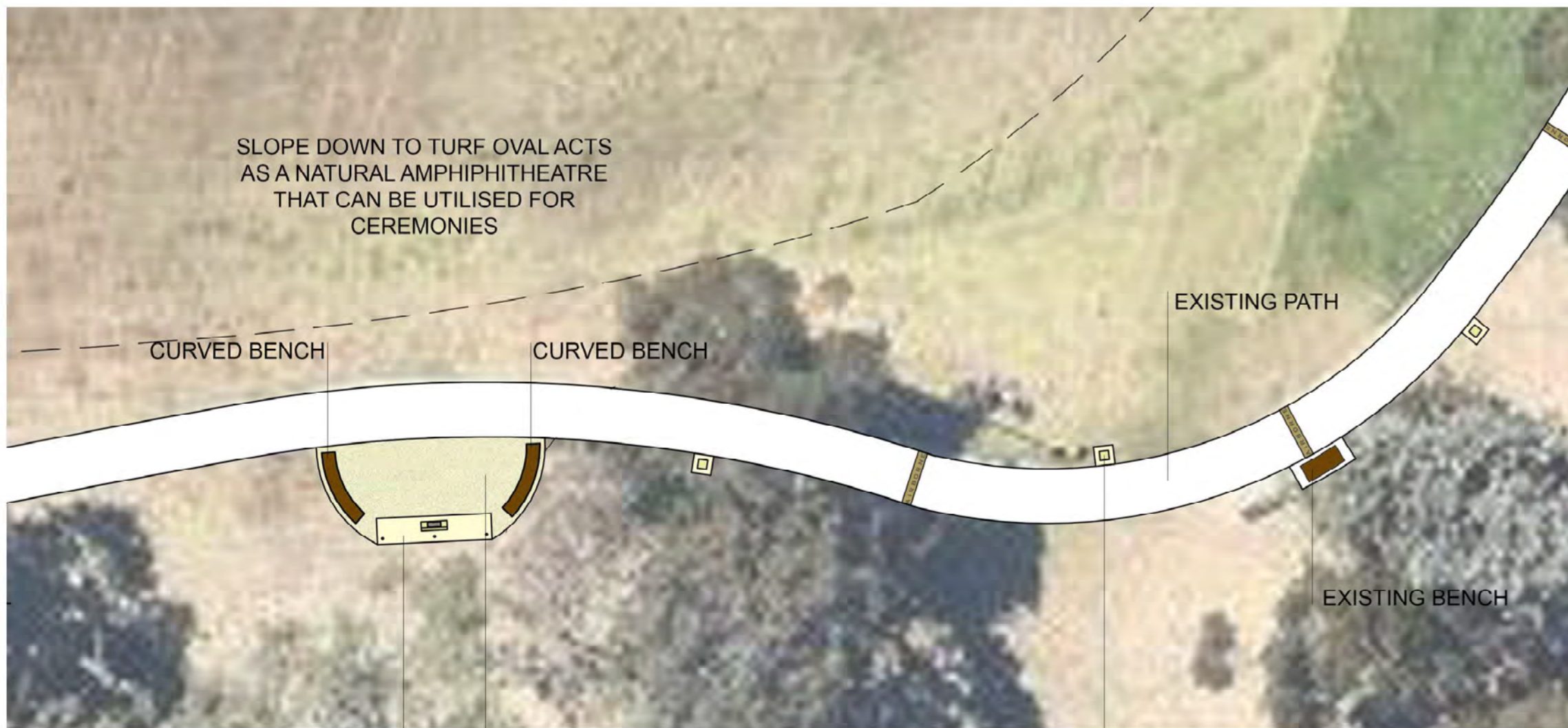
Kingsley Park

Kingsley Peace Precinct Proposal for Lot 971, 52 Creaney Drive





KINGSLEY PARK SITE MAP
nts



KINGSLEY COMMEMORATIVE PEACE PRENCINT - OPTION 1
Scale: 1:200 at A2



Artist impression of commemorative walk



LASER CUT STEEL WORDING SET INTO COLOURED CONCRETE BAND COMMEMORATING MARITIME, AIRBORNE, NATURAL AND MAN-MADE DISASTERS



Example of small commerative plinth



Example of exposed aggregate concrete



Example of steel inlay in concrete



Example of wording etched into concrete



Example of curved bench

ITEM	QUANTITY	UNIT	RATE	TOTAL
PRELIMINARIES				
Surveyor Fee - Pick up of site	5	hour	\$120.00	\$600.00
Surveyor Fee - Set out of site	3	hour	\$120.00	\$360.00
Onsite underground service locator	1	item	\$550.00	\$550.00
Supply / install Public Notification Sign decals	2	each	\$11.50	\$23.00
EARTHWORKS				
Strip grass and box out area to depth of 100mm for concrete hardstand and smaller plinths	32.5	m2	\$15.00	\$487.50
COMMEMORATIVE CONCRETE BANDING				
Supply steel wording for commemorative banding	4	item	\$1,200.00	\$4,800.00
Cut existing concrete footpath for new banding, includes dispose spoil from site	4	m2	\$50.00	\$200.00
Supply / install coloured concrete including installing steel letter inlays	4	m2	\$120.00	\$480.00
SMALL COMMEMORATIVE PLINTHS				
Supply / install small limestone plinths	5	each	\$200.00	\$1,000.00
Supply / install plaques to plinths	5	each	\$1,200.00	\$6,000.00
Supply / install concrete around smaller plinths - cream concrete	2.5	m2	\$60.00	\$150.00
Apply anti-graffiti treatment to exposed faces of limestone blocks	3.5	m2	\$16.00	\$56.00
MAIN CEREMONIAL AREA				
Supply / install exposed aggregate to main ceremonial area	30	m2	\$120.00	\$3,600.00
Supply / install main concrete platform including reinforcing, coloured concrete and plinth for plaque	1	item	\$3,500.00	\$3,500.00
Supply / install main plaque	1	item	\$1,500.00	\$1,500.00
FURNITURE				
Supply and freight for two arc benches	2	each	\$2,000.00	\$4,000.00
Installation two arc benches	2	each	\$600.00	\$1,200.00
Supply / install flag poles 6m high	3	each	\$1,000.00	\$3,000.00
SOFTSCAPE WORKS				
Minor re-turfing around new works, includes supply and install of sand for top dressing and allowance for minor grading adjacent new concrete hardstand.	38	m2	\$11.50	\$437.00
IRRIGATION				
Irrigation works - adjustment of sprinklers	1	P.Sum	\$2,000.00	\$2,000.00
SUBTOTAL				\$33,943.50
CONTINGENCY 10%				\$3,394.35
TOTAL				\$37,337.85



KINGSLEY PARK SITE MAP
nts



BOER WAR 1899-1902

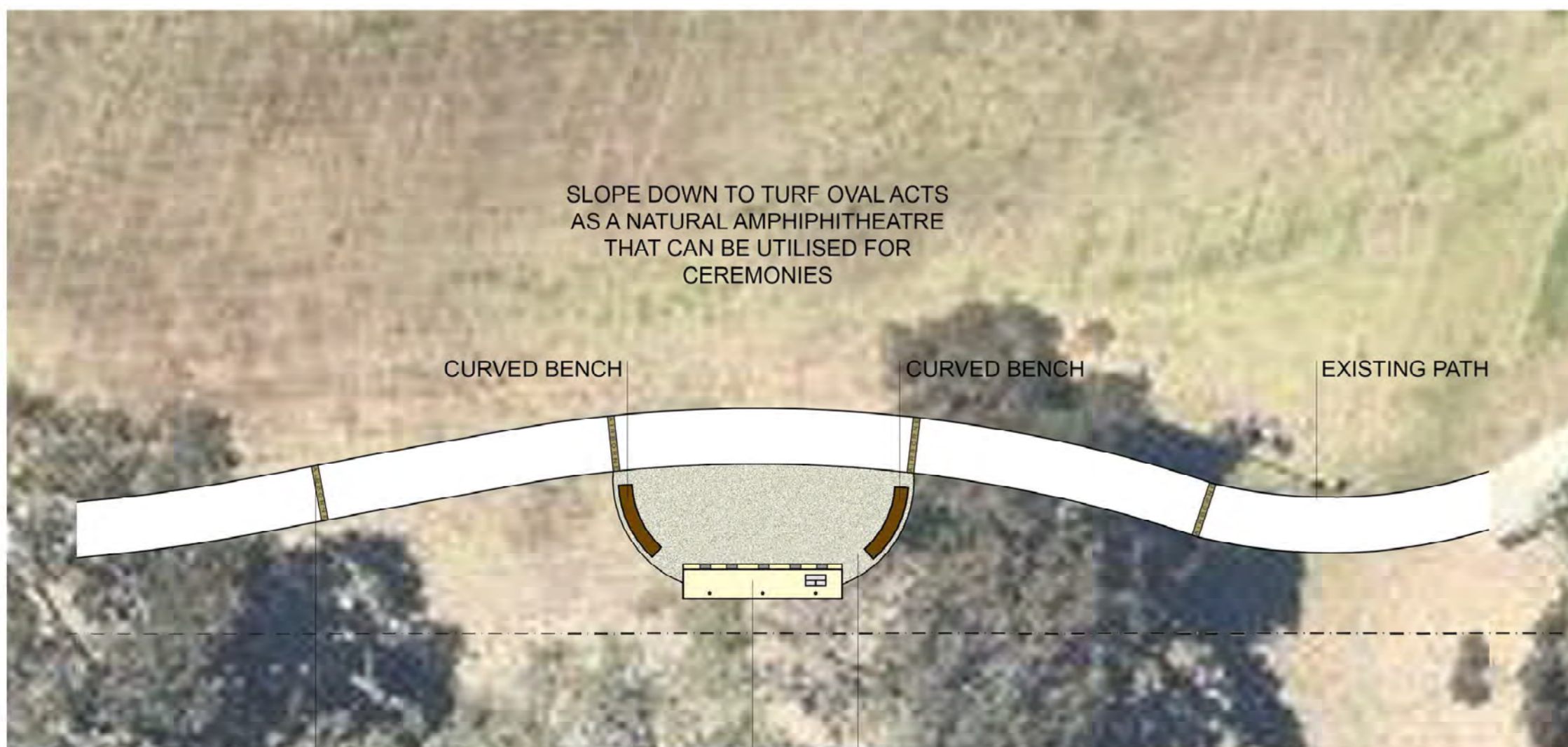


VIETNAM WAR 1965-1973



WAR IN AFGHANISTAN
2001-2004

Artist impression of commemorative tiles depicting wars and conflicts in which Australia and its Allies have been involved since the Boer War up until the present day



LASER CUT STEEL WORDING SET INTO COLOURED CONCRETE BAND COMMEMORATING MARITIME, AIRBORNE, NATURAL AND MAN-MADE DISASTERS

MAIN CEREMONIAL AREA WITH EXPOSED AGGREGATE PAD
MAIN COMMEMORATIVE PLINTH CONTAINING 5 COMMEMORATIVE TILES, 3 FLAG POLES AND SOLDIER SILHOUETTE WITH MAIN PLAQUE

KINGSLEY COMMEMORATIVE PEACE PRECINCT - OPTION 2
Scale:



Laser cut steel soldier silhouette with main plaque
Coloured concrete raised platform, angled to display tiles
Tiles etched with scene depicting one of the five wars or conflicts

KINGSLEY COMMEMORATIVE PEACE PRECINCT - OPTION 2
Scale:

OPTION 2 - KINGSLEY COMMEMORATIVE PEACE PRECINCT

ITEM	QUANTITY	UNIT	RATE	TOTAL
PRELIMINARIES				
Surveyor Fee - Pick up of site	5	hour	\$120.00	\$600.00
Surveyor Fee - Set out of site	3	hour	\$120.00	\$360.00
Onsite underground service locator	1	item	\$550.00	\$550.00
Supply / install Public Notification Sign decals	2	each	\$11.50	\$23.00
EARTHWORKS				
Strip grass and box out area to depth of 100mm for concrete hardstand and smaller plinths	48	m2	\$15.00	\$720.00
COMMEMORATIVE CONCRETE BANDING				
Supply steel wording for commemorative banding	4	item	\$1,200.00	\$4,800.00
Cut existing concrete footpath for new banding, includes dispose spoil from site	4	m2	\$50.00	\$200.00
Supply / install coloured concrete including installing steel letter inlays	4	m2	\$120.00	\$480.00
SMALL COMMEMORATIVE PLINTHS				
Supply / install printed tiles with anti-treatment graffiti	5	each	\$1,000.00	\$5,000.00
MAIN CEREMONIAL AREA				
Supply / install exposed aggregate to main ceremonial area	40	m2	\$120.00	\$4,800.00
Supply / install main concrete platform including reinforcing, coloured concrete and plinth for plaque	1	item	\$5,000.00	\$5,000.00
Supply / install steel soldier cut out	1	item	\$3,500.00	\$3,500.00
Supply / install main plaque	1	item	\$1,500.00	\$1,500.00
FURNITURE				
Supply and freight for two arc benches	2	each	\$2,000.00	\$4,000.00
Installation two arc benches	2	each	\$600.00	\$1,200.00
Supply / install flag poles 6m high	3	each	\$1,000.00	\$3,000.00
SOFTSCAPE WORKS				
Minor re-turfing around new works, includes supply and install of sand for top dressing and allowance for minor grading adjacent new concrete hardstand.	15	m2	\$11.50	\$172.50
IRRIGATION				
Irrigation works - adjustment of sprinklers	1	P.Sum	\$2,000.00	\$2,000.00
SUBTOTAL				\$37,905.50
CONTINGENCY 10%				\$3,790.55
TOTAL				\$41,696.05

Counter-Proposal In Reply:

'KINGSLEY COMMEMORATIVE PEACE PRINCINCT' (Lot 971, 52 Creaney Drive, Kingsley)

PROJECT AIM REMAINS UNCHANGED:

*'To provide the residents of Kingsley and surrounding suburbs, with a place of tranquillity and quiet contemplation **within a beautifully preserved natural bushland setting'***

The Proponents wish to respectfully thank the City for their response to the 'KINGSLEY COMMEMORATIVE PEACE PRINCINCT' Proposal, their resulting Counter-Proposal and for the time spent discussing the project on site Tuesday 11th July 2017 following a Council decision regarding the placement of plinths.

The Proponents have again met and agreed on a compromise with regards to the position of the Plinths, and below explain the reasoning for their decision:

Main Plinth with flagpoles (as per original proposal)

The point of setting this back against the fence-line of the treed enclosure as in our original proposal is so there is a safe distance between the structure and the sporting oval, ensuring any players running off field during play are not at risk of collision and that furthermore, spectators are not tempted to use the plinth as seating.

Plinths 2 and 3 (as per City's counter-proposal)

To be positioned on the edge of the main pathway next to existing bench seats as suggested by the city in its counter-proposal, in such a way as to 'frame' the main plinth by way of positioning

Plinths 4 and 5 (as per original proposal)

To be placed amongst the trees within the bushland setting of Lot 971, as was the intention for ALL 5 plinths in the original proposal - to maximise privacy for the quiet contemplation for those paying their respects

It is still hoped to have the project commenced and completed quickly - especially in time for this centenary year of the ANZACs. From discussions with Lions and Veterans services, that this project, by way of example could see Joondalup set the standard and be the first of many of its type across Perth in suburbs with similar demographics

Further discussion has since expanded the project to recognise and celebrate our multicultural community and to be a place of reflection for the community at large, to commemorate the injuries and loss of life in Maritime, Airborne, Natural and Man-made Disasters

PROJECT DETAIL AND COSTINGS:

As stated in the original proposal, we envisage the cost to the City will be very low and based around any approvals / conditions required by the City for the development process

The FULL COST of this main memorial will be covered by the Department of Veterans Affairs under their Major Project Grant - verbal approval has been given from Canberra, pending Council Approval of the project.

The cost of the secondary plinths and plaques are expected to be covered in full by Lotterywest Grants, Bendigo Bank Community Grants, Various Veteran Grants. The Lions Club have offered donations including their International Fund, plus other various fundraising activities have been discussed if required

COUNTER-PROPOSAL AIM - WHAT WE ARE REQUESTING:

The objective of this Proposal is to supply information which will hopefully show the benefits of our compromise for this project to the community and the city, and to encourage a favourable report, recommending approval from the City.

Further Information if required can be obtained by contacting :
Mr Brian Cooper
(08) 9409 6577
bfcooper@bigpond.com

PROPOSED MAIN PLINTH AND FLAGPOLES - POSITION 1



PROPOSED PLINTH POSITION 2



PROPOSED PLINTH POSITION 3



PROPOSED PLINTH POSITION 4



PROPOSED PLINTH POSITION 5



KINGSLEY COMMEMORATIVE PEACE PRECINCT PROPOSAL

PROPOSED ALTERNATIVE POSITIONS FOR FIVE PLINTHS AND THREE FLAGPOLES

